

Thank you for choosing Goldsun product, you are our most valuable customer

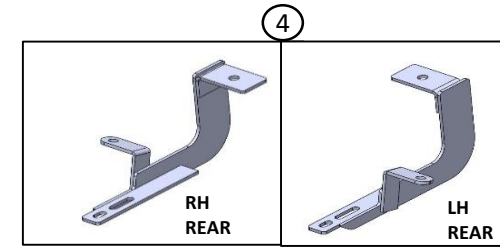
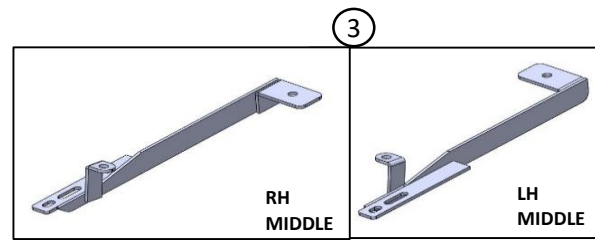
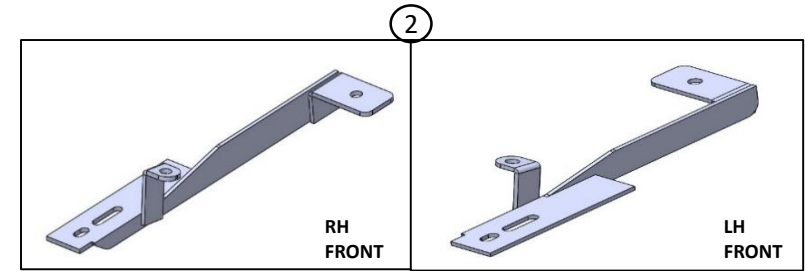
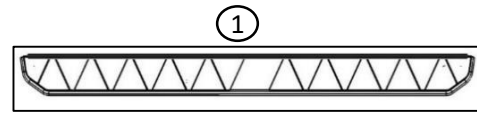
PARTS INSTALLATION GUIDE

Part Name : SIDE STEP

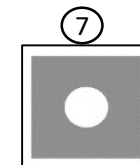
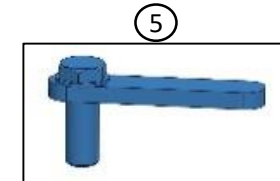
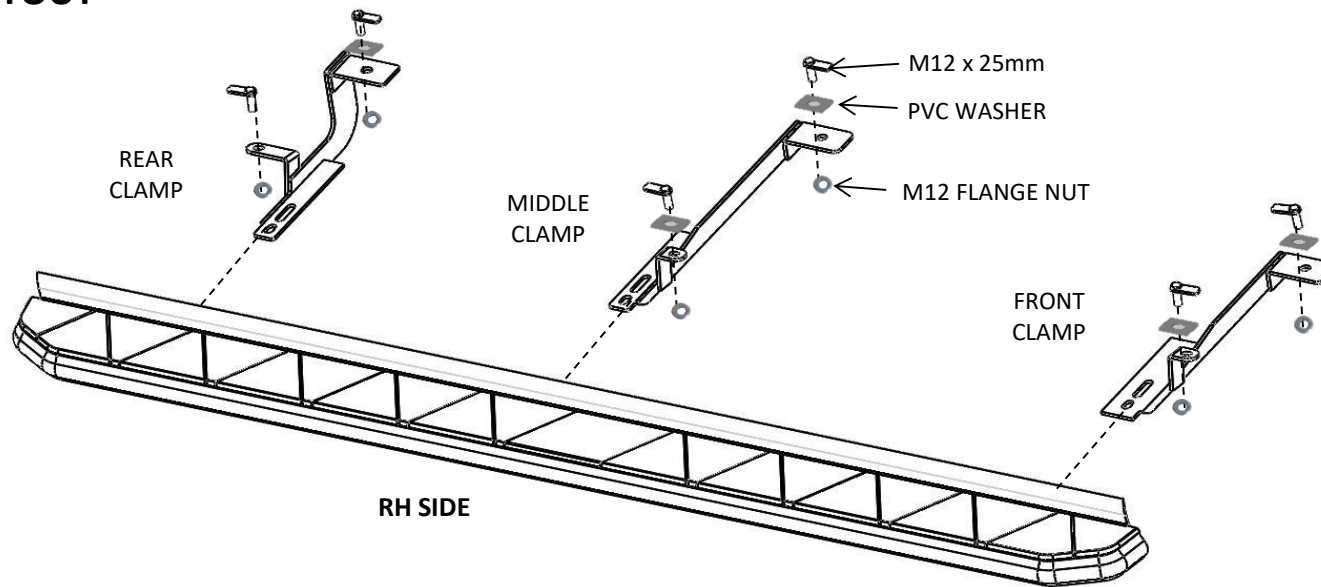
Part Number / Code : GFS 301

Vehicle : SELTOS

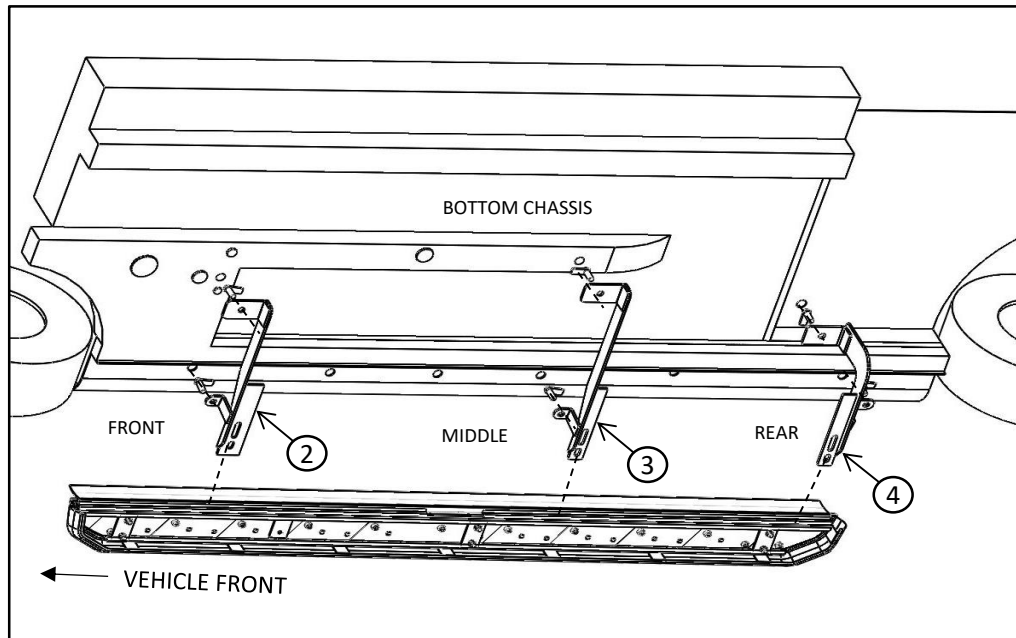
No	Child Parts Name	Spec	Qty
1	SIDE STEP	RH & LH COMMON	2
2	FRONT CLAMP	RH & LH	2
3	MIDDLE CLAMP	RH & LH	2
4	REAR CLAMP	RH & LH	2
5	BOLT WELD PLATE	M12 x 25mm	12
6	FLANGE NUT	M12	12
7	PVC WASHER	M12	12



LAYOUT



RH SIDE ASSEMBLY



RH FRONT CLAMP



RH MIDDLE CLAMP



RH REAR CLAMP



* SAME METHOD SHOULD BE FOLLOWED FOR LH SIDE.

NOTE : Follow instructions mentioned in installation guide for better installation quality.

