

YOU are more VALUABLE to US, THANKS for choosing



www.goldsun.in

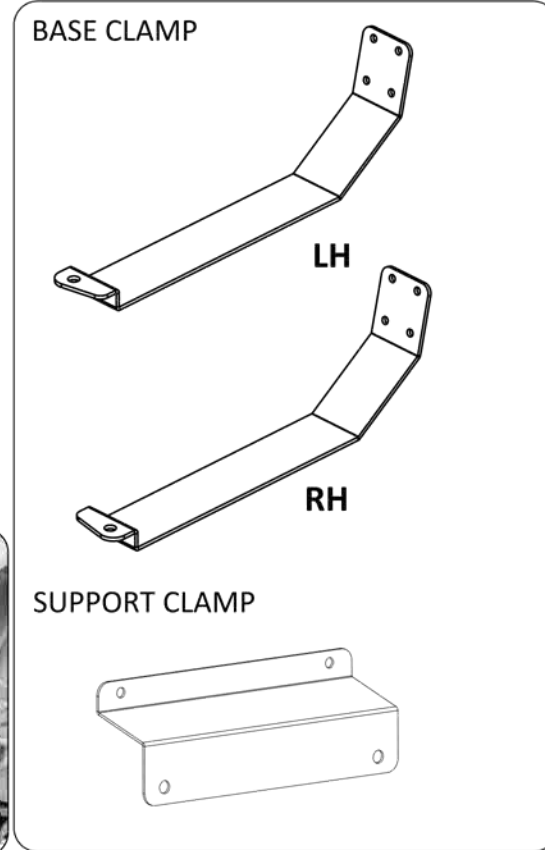
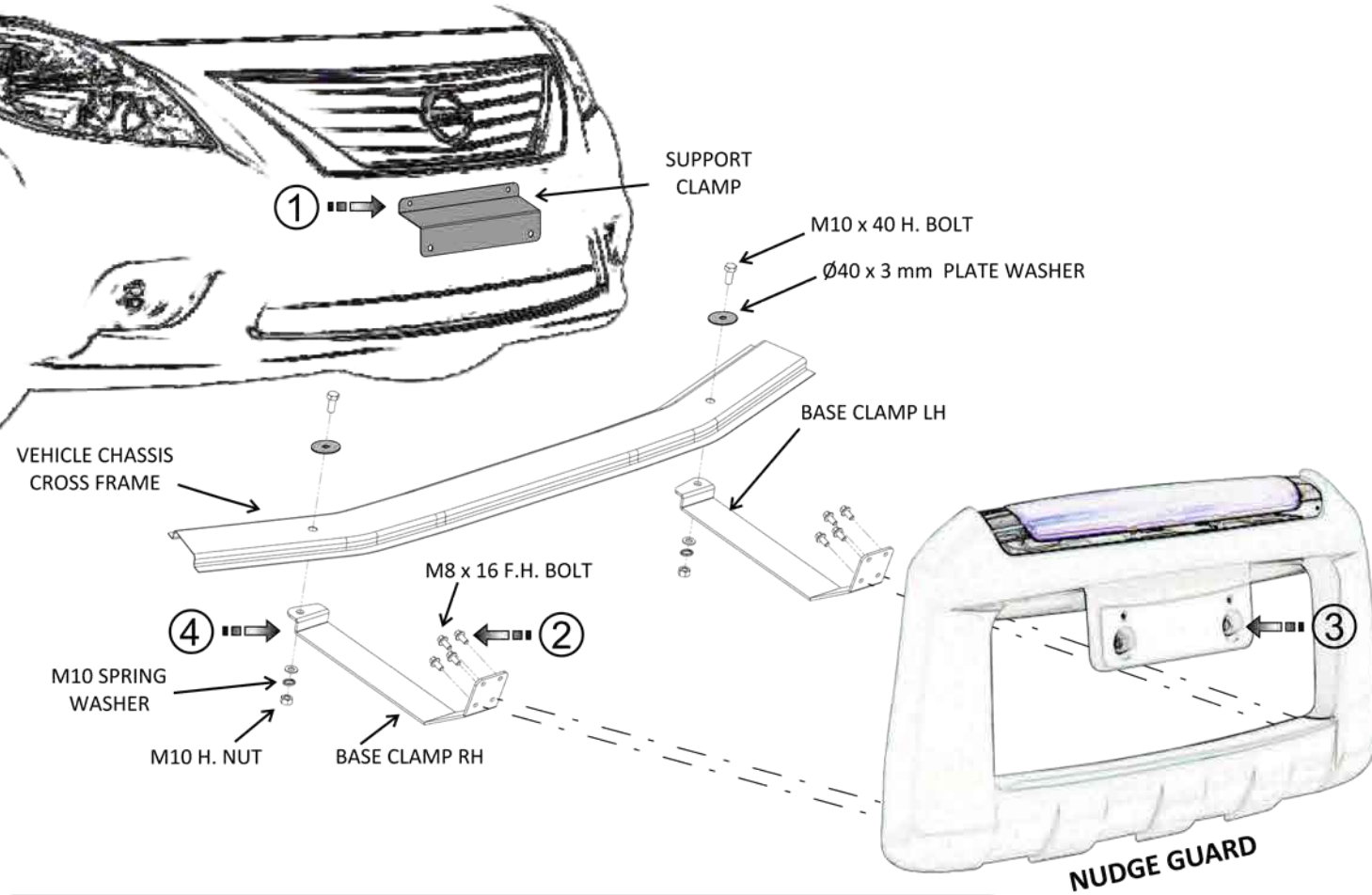
**GOLDSUN**

**MODEL : BLUESTYLE**  
**VEHICLE : SUNNY**

**PARTS INSTALLATION GUIDE**

**FASTENERS KIT**

1,	M6 x 20 mm	-	FLANGE HEX BOLT	-	2 Nos
2,	M8 x 30 mm	-	FLANGE HEX BOLT	-	2 Nos
3,	M8	-	FLANGE HEX NUT	-	2 Nos
4,	M10 x 35 mm	-	FLANGE HEX BOLT	-	2 Nos
5,	Ø 40 x 3 mm	-	PLATE WASHER	-	2 Nos
6,	M10	-	FLANGE HEX NUT	-	2 Nos



ARROW INDICATES THE SEQUENCE OF INSTALLATION IN THE ABOVE PICTURE

**INSTRUCTIONS**

- 1, Mount the Support clamp to the Vehicle Front Plastic bumper using M6 F.H. Bolt available in the kit.
- 2, Mount the Base clamp with the Nudge Guard using M8 x 16 F.H. Bolt..
- 4, Connect the Support Clamp with Nudge Guard using M8 x 30 mm H. Bolt provided the Kit.
- 5, Connect the Base clamp to the vehicle chassis as position marked using M10 x 40 H. Bolt.
- 6, Ensure the Center Alignment of the Nudge guard & Tighten the Bolts.
- 7, Fix the Number Plate in the Nudge Guard.

Base Clamp Mounting Location in the vehicle

