

YOU are more VALUABLE to US, THANKS for choosing



www.goldsun.in

GOLDSUN

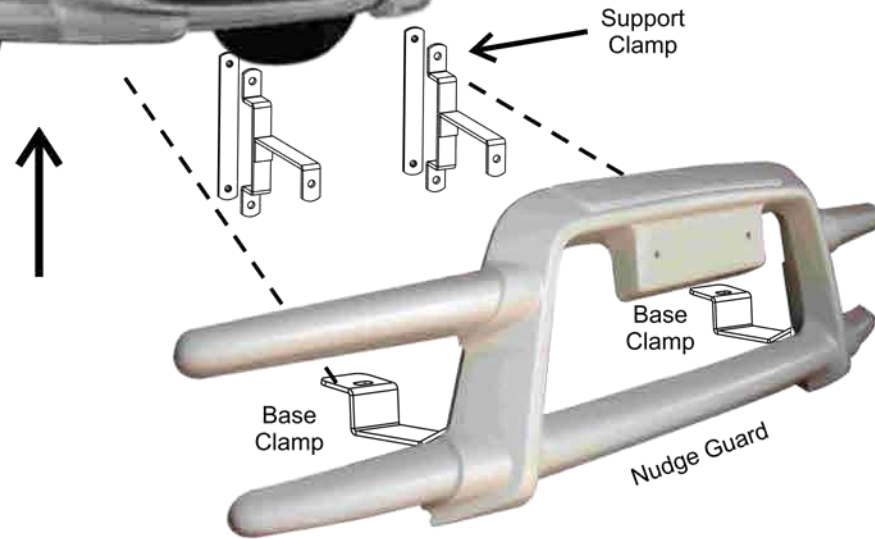
MODEL : ADORA

VEHICLE : ETIOS LIVA

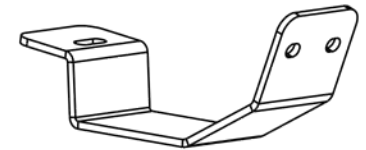
PARTS INSTALLATION GUIDE

FASTENERS KIT

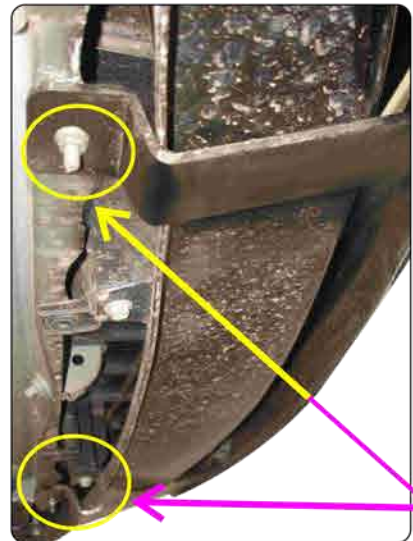
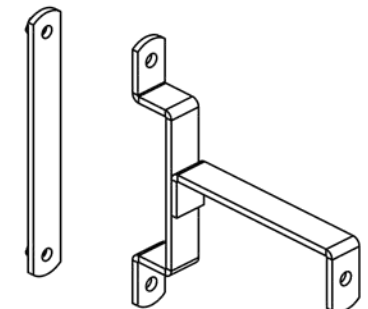
1,	M6 x 20 mm	-	FLANGE HEX BOLT	-	2 Nos
2,	M6	-	FLANGE HEX NUT	-	2 Nos



LH & RH COMMON BASE CLAMP



SUPPORT CLAMP



Base Clamp Mounting
Using M6 Bolt , Nut

INSTRUCTIONS

- 1, Mount the Base Clamp to the Nudge Guard.
- 2, Mount the Support Clamp to Vehicle as in the vehicle picture.
- 3, Mount the Base clamp the vehicle as in the adjacent picture using M6 Bolt & Nut.
- 4, Connect the Support Clamp with Nudge Guard.
- 5, Ensure the Center Alignment of the Nudge guard & Tighten the Bolts.
- 6, Fix the Number Plate in the Nudge Guard.



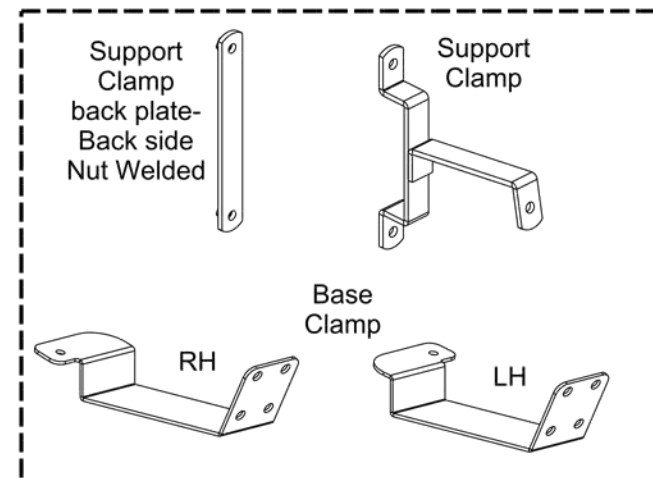
MODEL : BLUESTYLE

VEHICLE : ETIOS LIVA

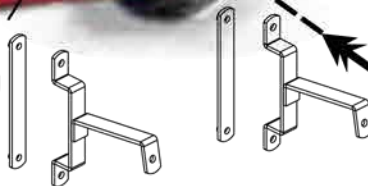
FASTENERS KIT

M8 x 30 mm	- Flange Hex Bolt	- 6 Nos
M8	- Flange Hex Nut	- 2 Nos
M6 x 20 mm	- Flange Hex Bolt	- 2 Nos
M8	- Flange Hex Nut	- 1 No

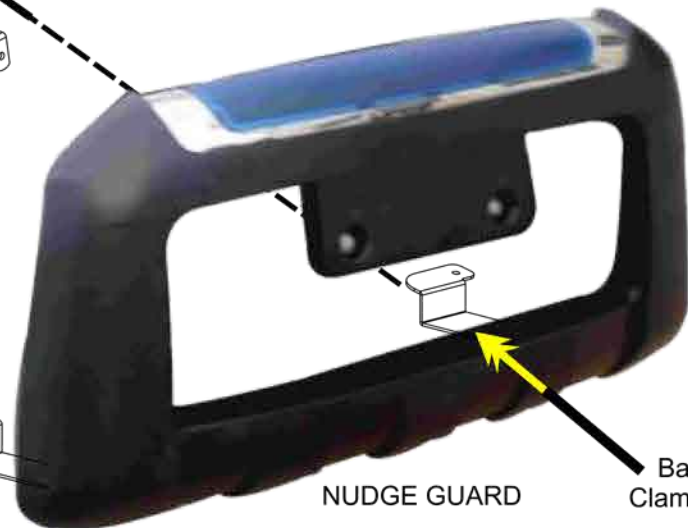
PARTS INSTALLATION GUIDE



Support Clamp Mounting Position



Base Clamp RH



NUDGE GUARD

Base Clamp LH

NOTE :

- 1, Mount the Base clamp with Nudge Guard.
- 2, Mount the Support clamp to the Vehicle as marked in the Vehicle Photo.
- 3, Connect the Base clamp with vehicle.
- 4, Connect the Support Clamp & the Nudge Guard.
- 5, Ensure the Center Alignment of the Nudge guard & Tighten the Bolts.